

Carbide/PCD Engraving Cutter-Square Point Inquiry Form

In order for Bullion Tool to assist you please fill this form out completely and fax form to:
313-926-6026 or E-mail this form to Tech_Support@BullionToolTech.com.

Completing all information will help us to respond with a quote in a more timely fashion.

Bullion tool thanks you for your interest in our Company and is looking forward to working with you.

CONTACT INFORMATION

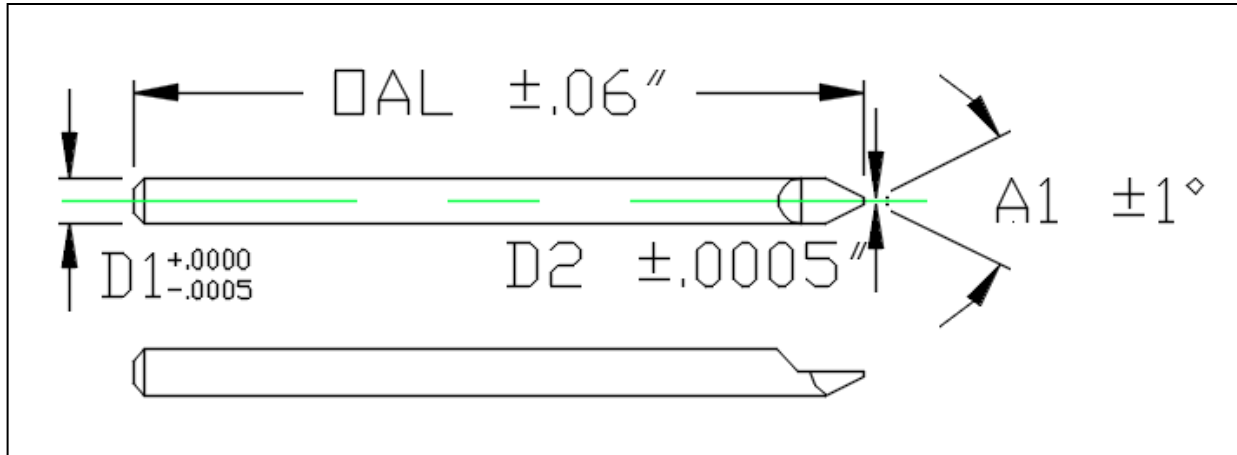
DATE:

First Name: Last Name:

Street Address: City:

State: Zip Code: Company:

Phone: FAX: E-mail:



Material to be Machined: Tool Material: Quantity(s):

Radius R1: Diameter: D1: D2:

Overall Length: OAL: Coating:

Additional Information:

Bullion Tool Technology LLC

"The Gold Standard In Cutting Tool Technology"



PHONE: 313-881-1404 FAX: 313-926-6026

E-Mail: Tech_Support@BullionToolTech.com