

# Carbide/PCD Engraving Cutter-Radius Point Inquiry Form

In order for Bullion Tool to assist you please fill this form out completely and fax form to:  
313-926-6026 or E-mail this form to Sales\_Support@BullionToolTech.com.

Completing all information will help us to respond with a quote in a more timely fashion.

Bullion tool thanks you for your interest in our Company and is looking forward to working with you.

## CONTACT INFORMATION

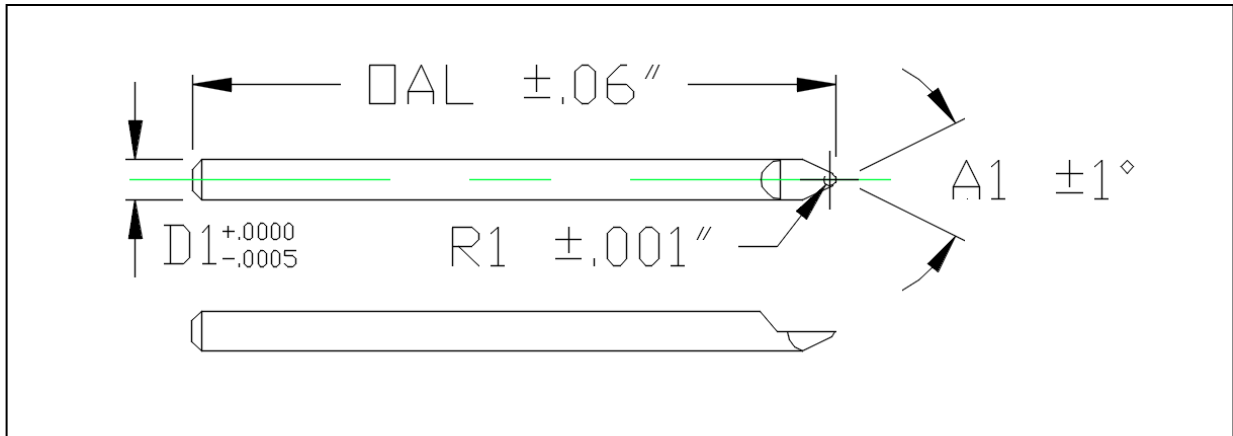
DATE:

First Name:  Last Name:

Street Address:  City:

State:  Zip Code:  Company:

Phone:  FAX:  E-mail:



Material to be Machined:

Tool Material:

Quantity(s):

Angle: A1:  Diameter: D1:  Overall Length: OAL:

Coating:  Radius: R1:

Additional Information:

## Bullion Tool Technology LLC

*"The Gold Standard In cutting Tool Technology"*

PHONE: 313-881-1404